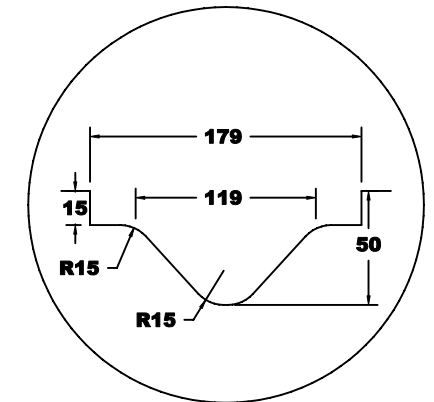
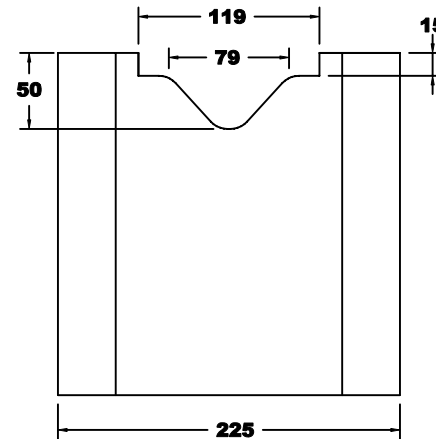
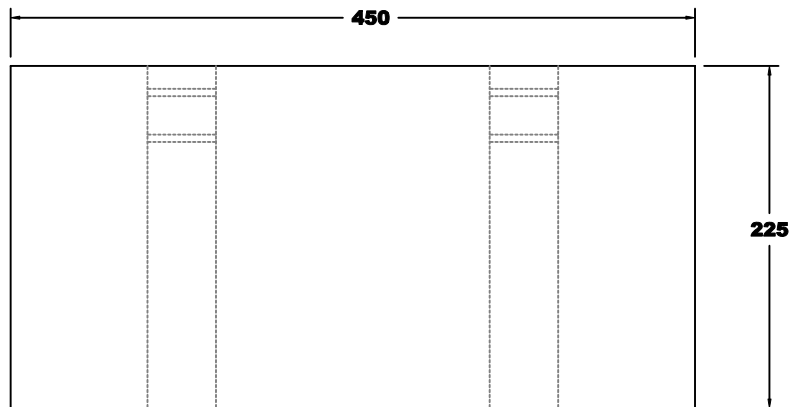


**Betaloc Block**  
**(W)225 x (H)225 x (L)450mm**  
**Mould height, 260mm**  
**(10 per drop, F24)**



**Recess detail.**

<b>TITLE</b> 225 x 225 x 450mm Betaloc
<b>FILE.NAME :</b> Cad, Mould, Betaloc blocks
<b>DRAWN BY :</b> GB. <b>DATE :</b> 25/03/2009

<b>SIGNED:</b>
<b>PLEASE CHECK DIMENSIONS CAREFULLY AND RETURN THE SIGNED DRAWING</b>
<b>ALL DIMENSIONS IN MM (INCHES)</b>
<b>PLOT SCALE: NTS</b>
<b>© FINLAY ENG 2009</b>

**finlay**  
**engineering**  
[www.finlayeng.com](http://www.finlayeng.com)  
 Tel: +44 (0) 28 855 68888  
 Fax: +44 (0) 28 855 67983