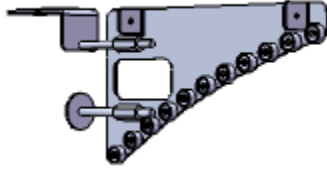


Covrex® Installation Manual

Customer ref:

1. Triangles



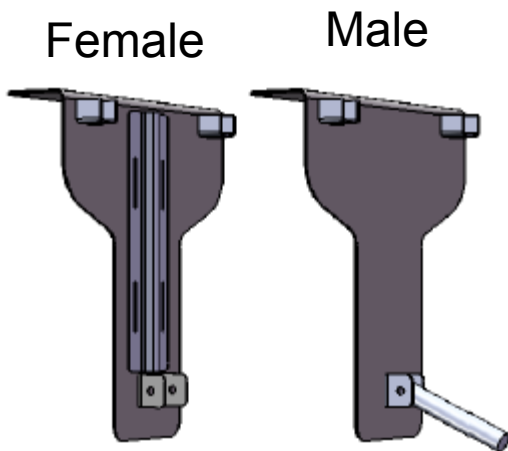
2. Transversal beams



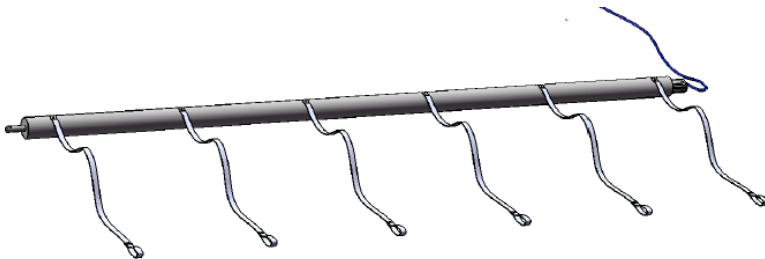
3. extensions for transversal beams



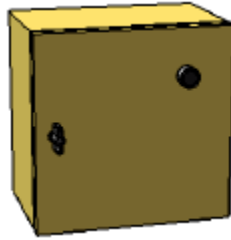
4. Side plates (Female engine side) Male



5. Axle, engine and straps



6. Electrical box



7. Key contact



8. Remote control (optional)



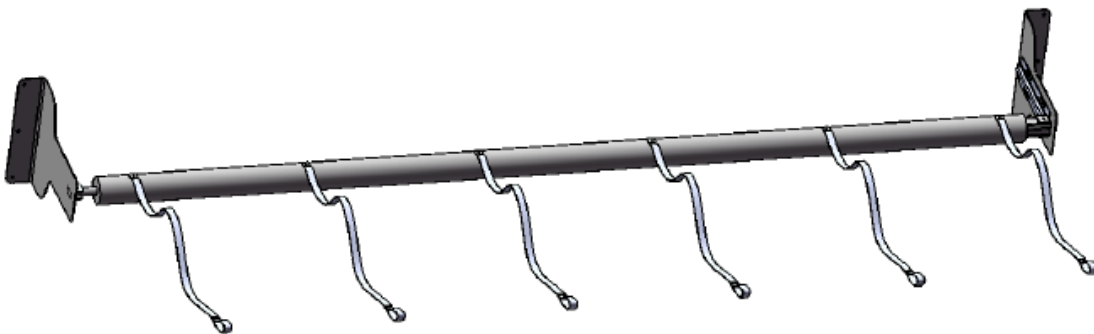
9. Screws and bolts

- a. Bolts M 10 stainless steel
- b. Hexagonal screws M6 x 15 mm
- c. Nuts M 6
- d. Bolts M5 to fix straps
- e. Small stainless steel screw to attach slats together

Installation of the drive system

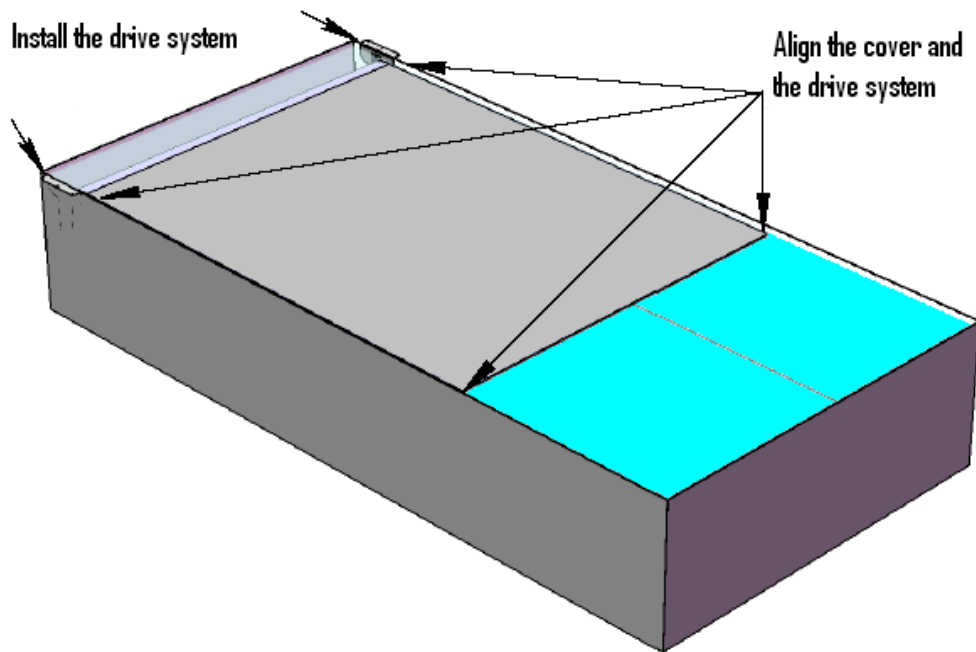
Always install with a full pool.

1. Attach the axle with engine, to the 2 side plates and put the feed wire through gap.

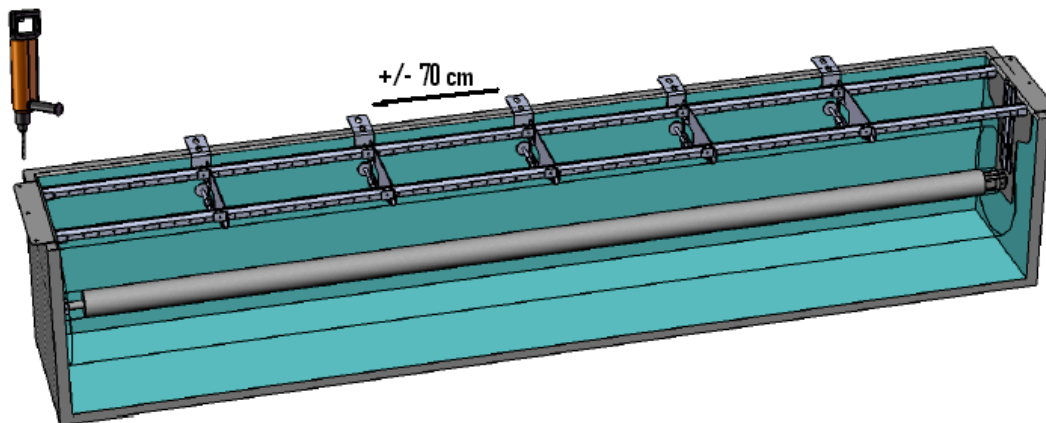


2. Install the drive system in the pool.
3. Install Covrex in order to cover the $\frac{1}{2}$ of the pool (cf below manual for the Cover)

4. Check alignment (the axle must be perfectly perpendicular to the length of the pool).



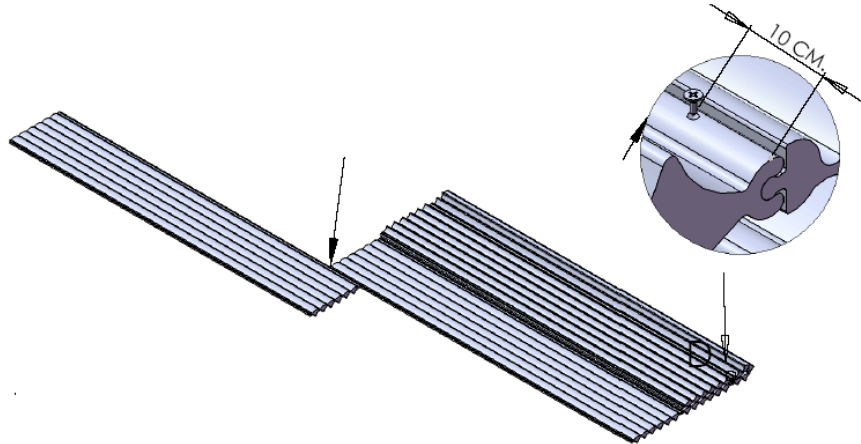
5. Evenly space the triangles along the back edge of the pool, with the first and last triangle +/- 70 cm from pool sides.



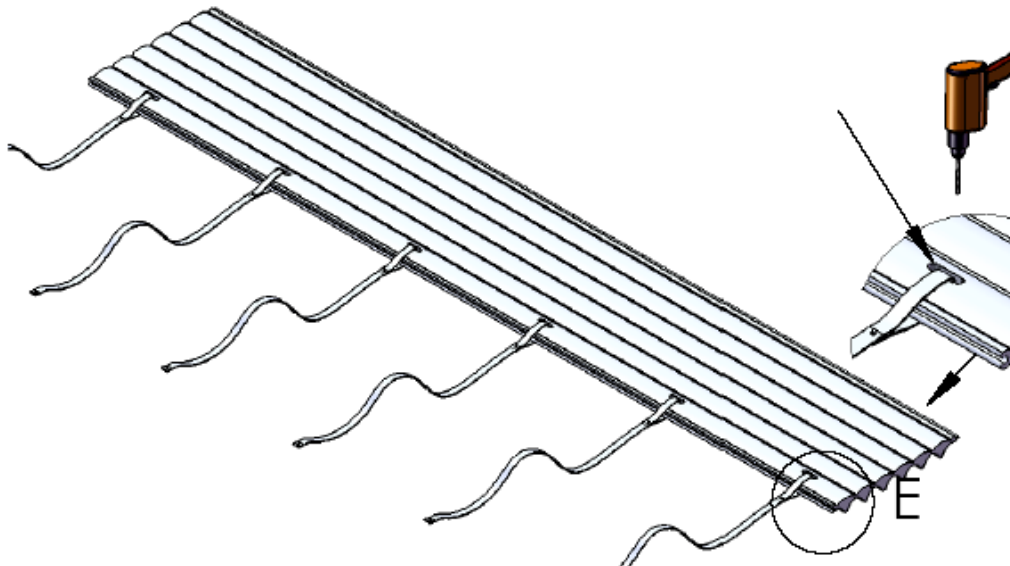
6. Adjust each round plate so that it comes flush with the back wall. It may be necessary to cut the bolts in order to accommodate the desired length of the triangles, the maximum length of which is 670 mm.
7. Cut and fix the transversal beam.
8. Fix the side panels and all triangles in the ground.

Installation for the Covrex panels

1. Slide panels together (male in the female).



2. At the end of each panel put a screw to fix the slats together
3. To attach the first slats to the straps, please
 - a. Place 1 slat near the axle on the water and align the straps on the slats.
 - b. Mark the place where the opening to fix the straps must done
 - c. Cut an opening – using a drill – 2 cm wider than the straps (1 cm of each side).
 - d. Loop the straps trough the opening and secure together using the provided screws.



Programming the open and close position of the pool cover.

The following procedure shows you how to program the open and close position of the pool cover:

- Turn up the voltage by using the main switch.
- Operate the PROG-key for 4 seconds.
The green PROG-LED and the orange OPEN-LED and CLOSE-LED are flashing.
- Operate the key switch or the OPEN-keys until the preferred open position is reached.
The green OPEN-LED is on.
- Confirm the open-position by operating at the same time the PROG-key and the OPEN-key during 1 second.
The green OPEN-LED goes out and the orange OPEN-LED is on.
- Operate the key switch or the CLOSE-keys until the preferred close position is reached.
The green CLOSE-LED is on.
- Confirm the close position by operating at the same time the PROG-key and the CLOSE-key during 1 second.
The green CLOSE-LED goes out and the orange CLOSE-LED is on.

2. Operation.

The user operates the ATLANTIS with the purpose to open and close the pool cover.

The diagram of connection to operate the ATLANTIS is pictured in chapter 4.

You're able to operate the ATLANTIS by:

- the keys on the print
- the keys of the diaphragm foil on the cover of the housing
- the external key switch

The normal operation of the ATLANTIS can be done in 2 different ways:

- UNSAFE MODE (pulse control)

Opening and closing happens automatically after the keys or the key switch are operated for at least 2 seconds.

You stop the movement by operating the keys or the switch of the opposite movement.

- SAFE MODE

Opening happens automatically after the keys or the key switch are operated for at least 2 seconds. (pulse control) Closing happens as long as the keys or the key switch are operated (holding control). You stop the movement of opening by operating the keys or the key switch of the opposite movement. (pulse control).

The movement of closing stops when the keys or the key switch aren't operated anymore. (holding control).

Operating the emergency switch of the ATLANTIS has to be done by an external emergency key.

The status of the ATLANTIS is reproduced by means of LEDs on the print and the diaphragm foil.

- orange LED with OPEN-key is on: the cover is in open end position and stands still.
- green LED with OPEN-key is on: the cover is in motion to the open end position.
- orange LED with CLOSE-key is on: the cover is in closed end position and stands still.
- green LED with CLOSE-key is on: the cover is in motion to the closed end position.

3. Resetting the errors.

In case an error occurs during operation, the possible cause can be read on the basis of the error LED indication in the controlbox.

Generally, in case of any error situation the error LED on the print flashes, in combination with another specific LED.

Signal : red ERROR-LED flashes, green CLOSE-LED is on
 Error : overheated print (+/- 80° C)
 Reset : wait until the print has cooled down and then press the PROG-key

Signal : red ERROR-LED flashes, orange LED of the CLOSE-key is on
 Error : overheated engine (I2T)
 Reset : wait five minutes and then press the PROG-key

Signal : red ERROR-LED flashes, green OPEN-LED is on
 Error : excess of the maximum turning time of the engine
 (in case the engine is running continuously for 10 minutes)
 Reset : wait 10 minutes and then press the PROG-key

Signal : red ERROR-LED flashes, orange OPEN-LED is on
 Error : the engine sensor is out of order
 Reset : The cover can always be operated (open/close) without pulses of the sensor.
 In order to do that, consult the chapter Programming. In this situation the speed of the engine will not be regulated, red ERROR-LED flashes and follow the remaining LED's as with Programming.

Signal : red ERROR-LED flashes, green PROGRAM-LED flashes

Error : excess of the maximum current
Reset : press the PROG-key.

4. Safety

1. Only use the pool if the cover is completely open.
Never set the cover of flats in motion if there are still people in the swimming pool.
2. The Atlantis drive controlbox is intended to be used in a “wet” environment.
Only open the controlbox in a dry environment with dry hands, because of the danger of an electrical impact.
3. This machine is developed to be used in a combination of a complete system. The installer must guarantee that the whole system complies with the applicable instructions concerning safety.
4. The manufacturer seriously excludes each liability for incidents that are or might be the consequence of an incorrect or improper use of the machine and or the installation.

www.covrex.com
info@covrex.com

Covrex® is a trademark from Cleerpool BVBA
Kasteeldreef, 6
3390 Houwaart
Belgium
+32 16 62 26 16