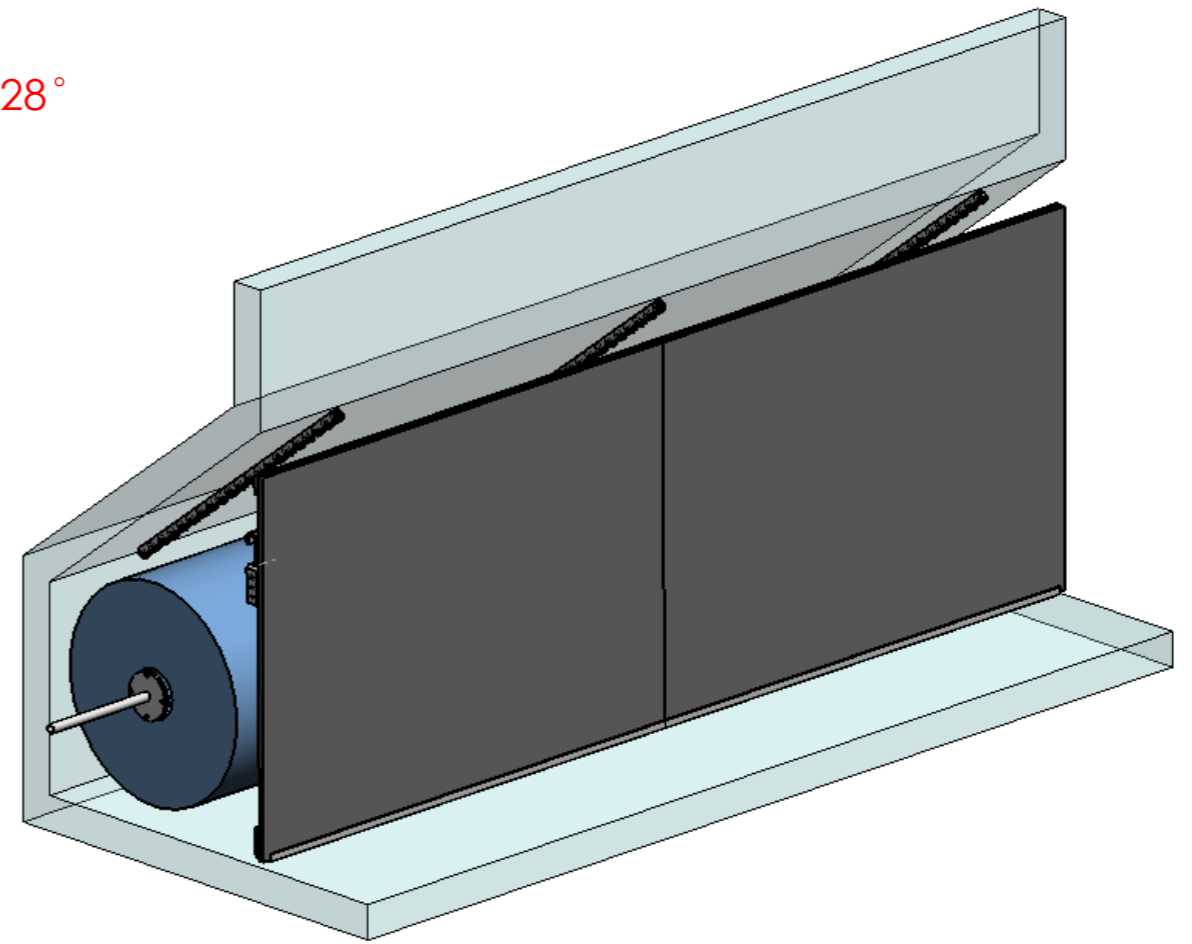
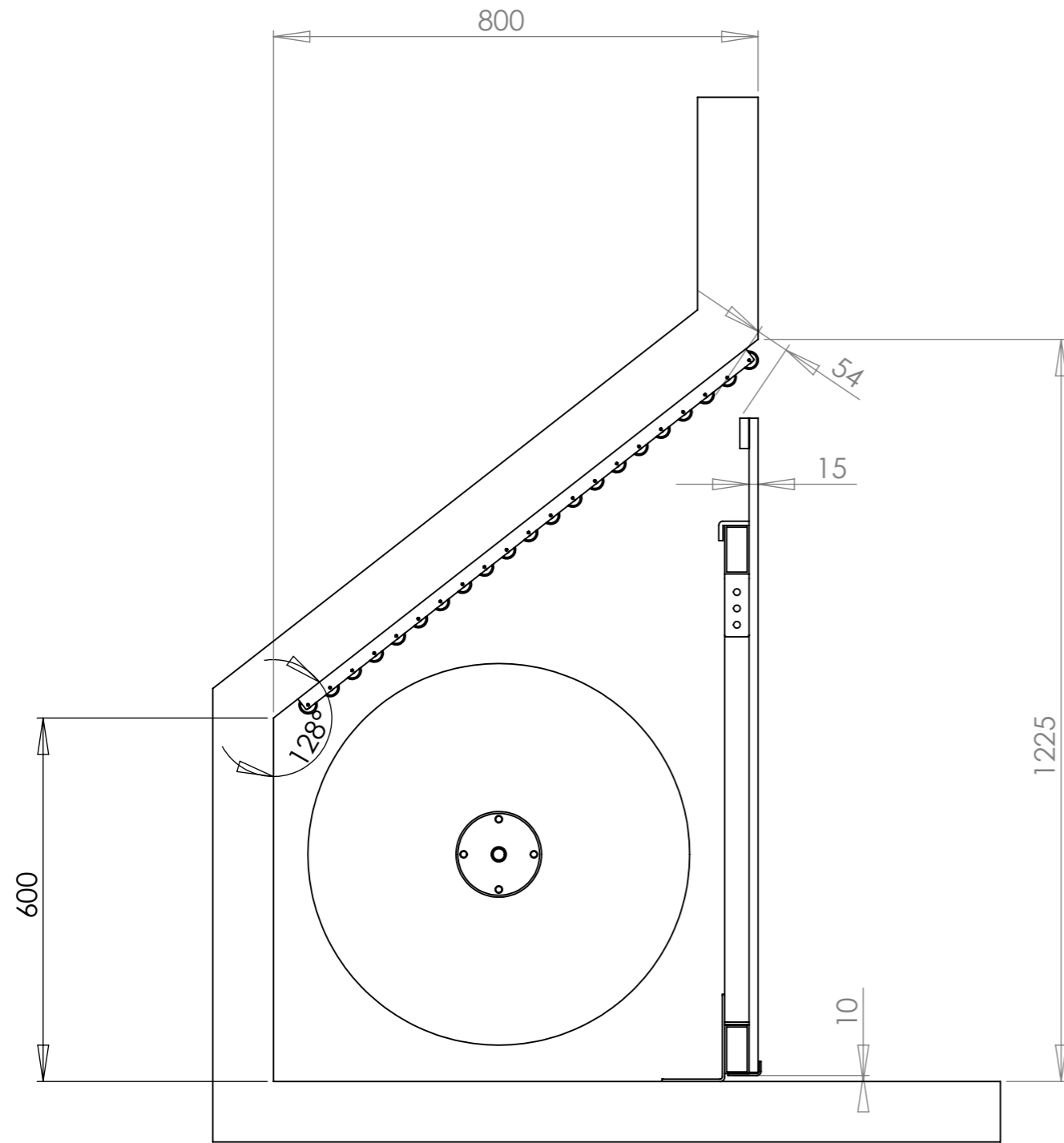


Max. pool length
 Max. badlengte
 Longueur max. piscine

19 m

standard pit 800 x 600 mm @ 128°



REF.	CSY013.2
NL	Muurnis PVC
F	Fosse Murale PVC
UK	Back Wall Cave PVC
D	Unterflursystem in einer Nische

POOL PROTECTION
COVREX
 www.covrex.com info@covrex.com
 Tel : +32 16 55 37 70 Fax: +32 16 62 25 40
 Doc. version : TD.CSY013.2.1
 Date : 01/06/2014

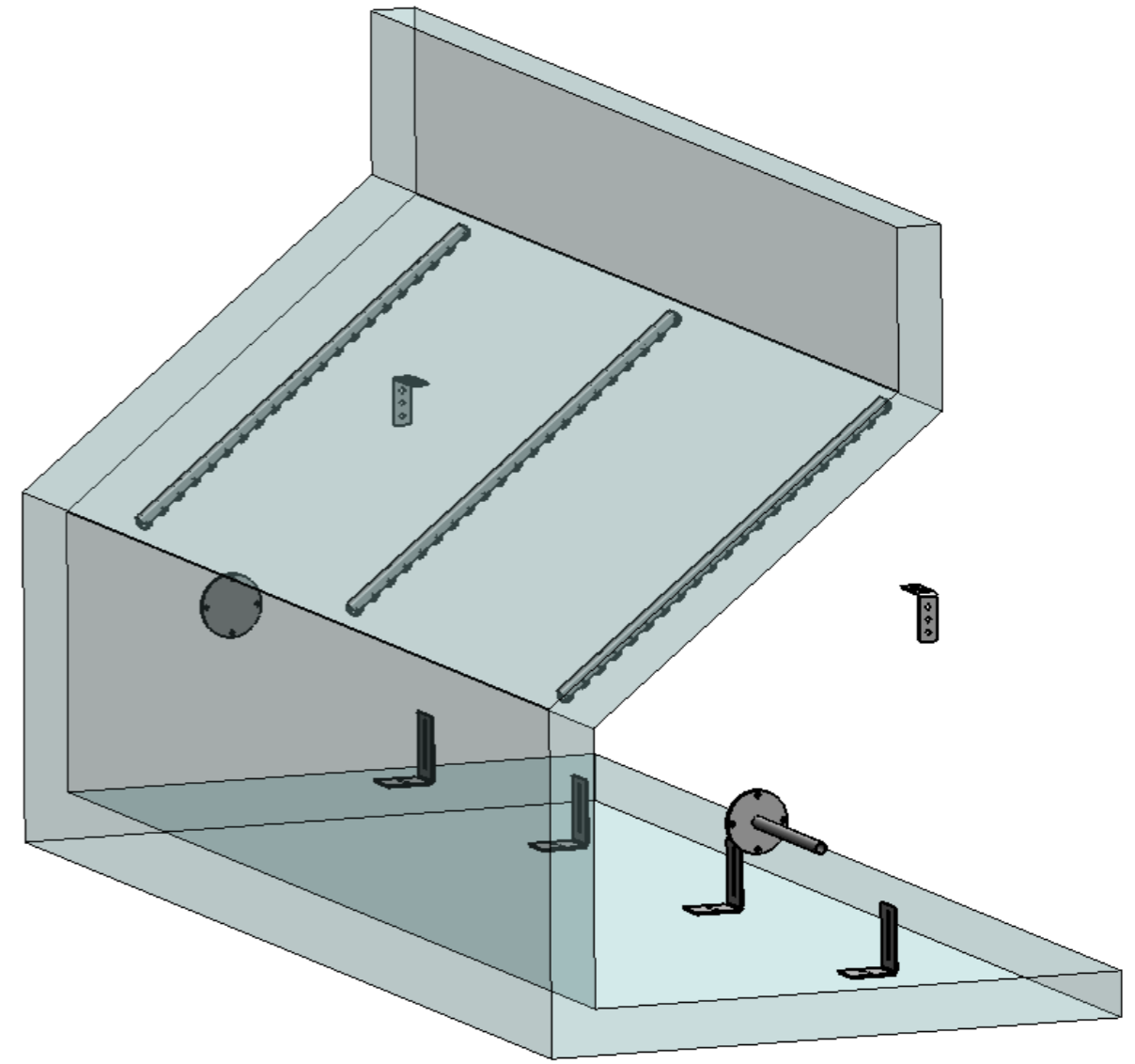
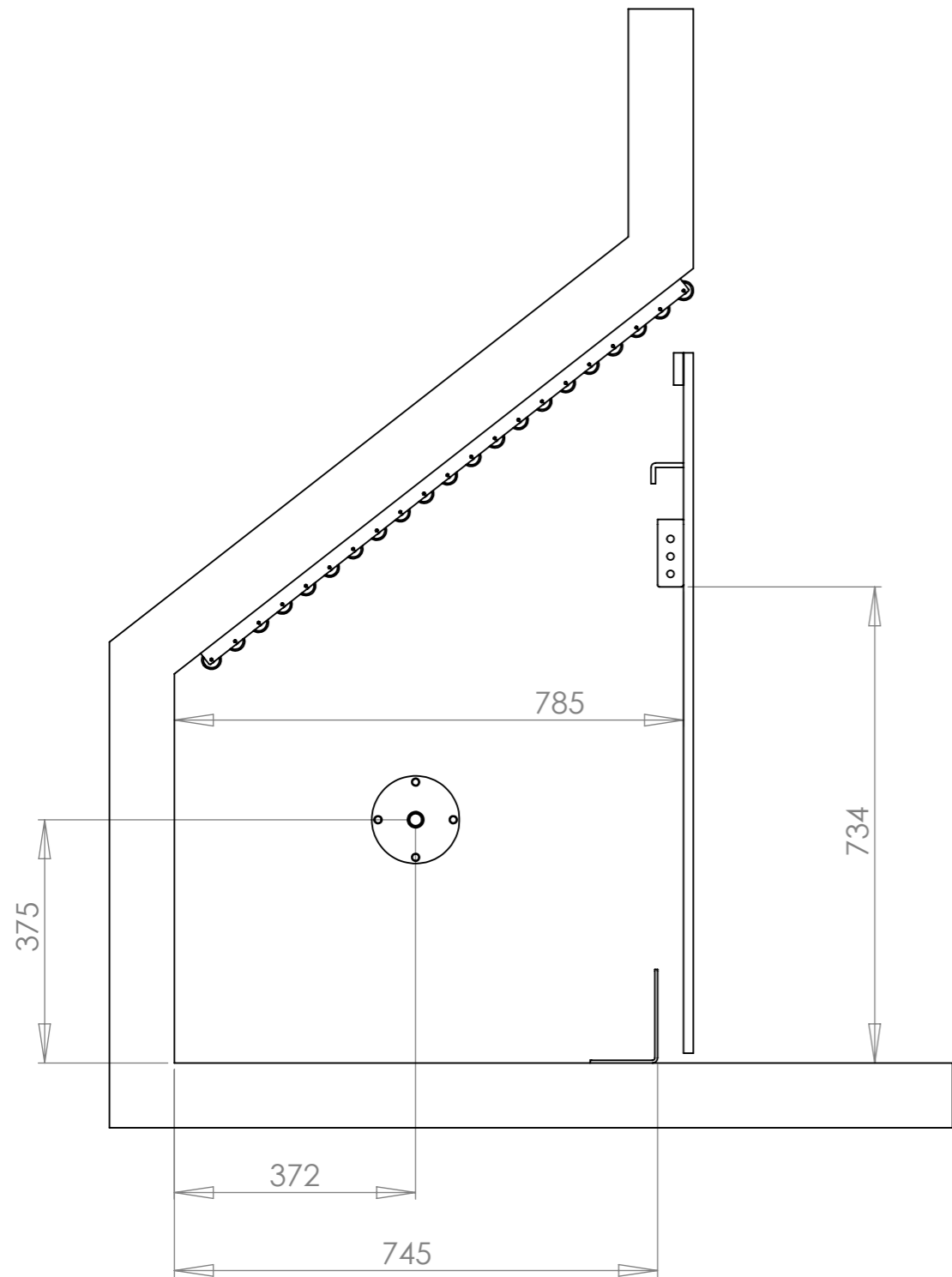
TOLERANCES: LINEAR : +/- 2% ANGULAR : +/- 2% DO NOT SCALE DRAWING

DIMENSIONS IN MILLIMETERS SHEET 1 OF 3

Drawing by Kantor Marika

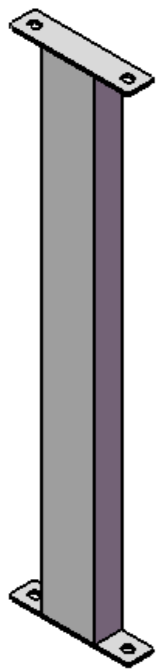
INSTALLATION GUIDE

(for standard pit 800 x 600 mm @ 128°)

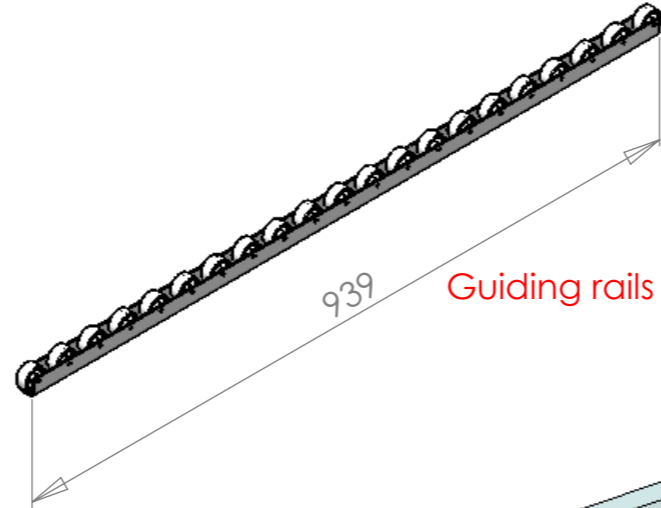


REF.	CSY013.2
NL	Murnis RVS
F	Fosse Murale RVS
UK	Back Wall Cave RVS
D	Unterflursystem in einer Nische

POOL PROTECTION
COVREX
www.covrex.com info@covrex.com
 Tel : +32 16 55 37 70 Fax: +32 16 62 25 40
 Doc. version : TD.CSY013.2.0
 Date : 01/01/2014

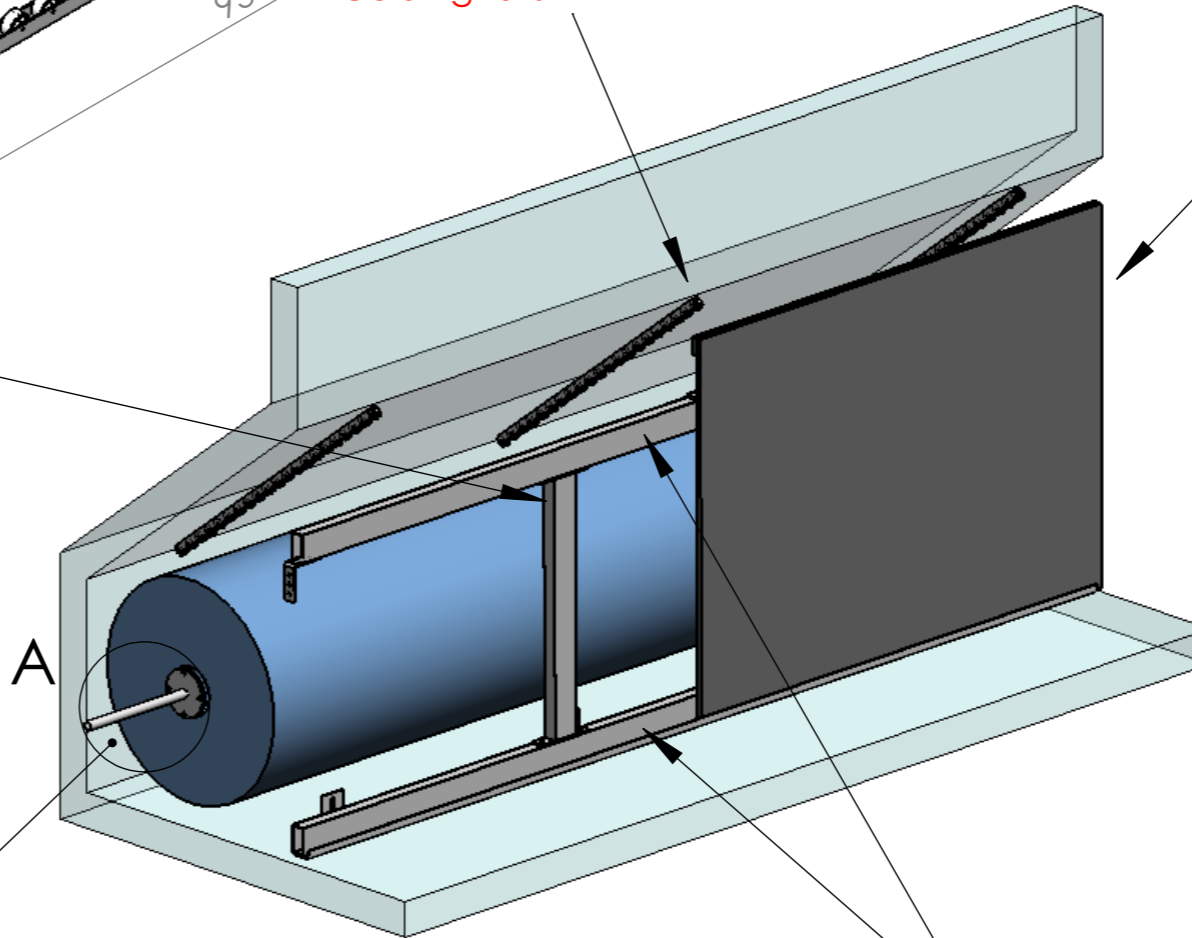


2 x support vertical



939

Guiding rails

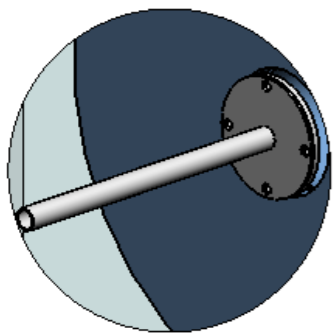


PVC plate

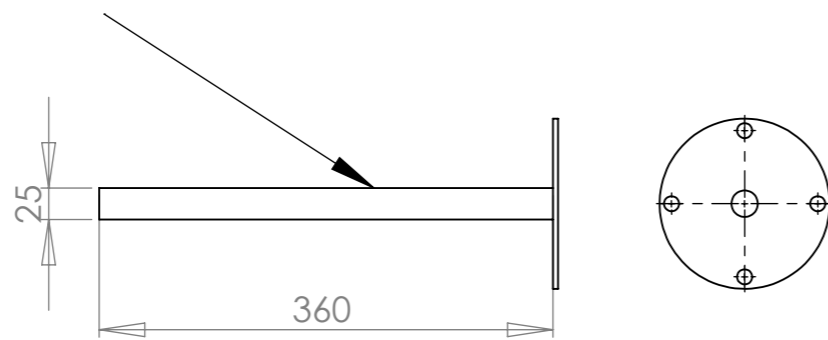
2 x support horizontal

Wall conduit for electrical cable

DETAIL A
SCALE 1 : 8



Wall conduit:



REF.	CSY013.2
NL	Muurnis RVS
F	Fosse Murale RVS
UK	Back Wall Cave RVS
D	Unterflursystem in einer Nische

POOL PROTECTION
COVREX
www.covrex.com info@covrex.com
Tel : +32 16 55 37 70 Fax: +32 16 62 25 40
Doc. version : TD.CSY013.2.0
Date : 01/01/2014

TOLERANCES: LINEAR : +/- 2% ANGULAR : +/- 2% DO NOT SCALE DRAWING

DIMENSIONS IN MILLIMETERS

SHEET 3 OF 3

Drawing by Kantor Marika