

Installation of the Covrex® slats

Document name: IM-SLATS01

Updated: 20-01-2011

Description: This document is designed to help customers install the Covrex® pool cover slats on an existing or new swimming pool.

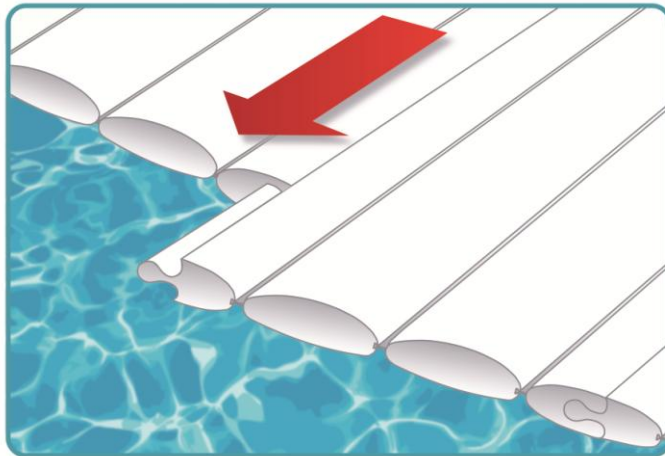


Material:

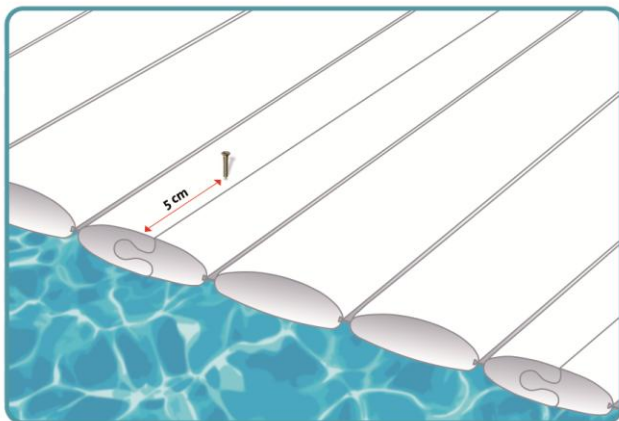
	<p>Drill with a 10 mm diameter bit.</p>		<p>Jigsaw with a wood blade. For frequent use or complex shapes, we strongly advice: <i>Makita BJV180</i></p>
	<p>Screw gun</p>		<p>Vaseline or another lubricant (shampoo, soap, etc.)</p>

Installation:

1. Slide panels together on the water surface. To facilitate sliding, you may use a lubricant (Vaseline, shampoo, etc.).



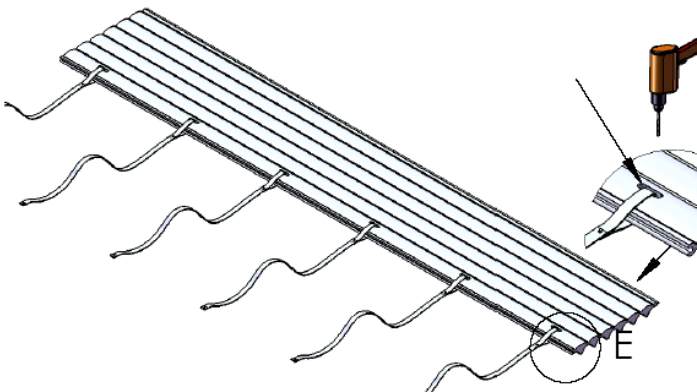
2. At the end of each panel put a screw to fix them together. The screw can be installed on top or below the cover.



3. To attach the first slats to the straps, please;
 - a. Place 1 slat near the axle on the water and align the straps on the slats.
 - b. Mark the place where the opening to fix the straps must be done
 - c. Cut an opening – using a drill (diameter 10mm) and a jigsaw – 2 cm wider than the straps (1 cm of each side).



- d. Loop the straps trough the opening and secure together using the provided screws.



4. In case there is a special shape to be cut (roman stairs, round corners, etc.), draw the shape on the backside of the slats, and use a jigsaw to cut the slats.

