

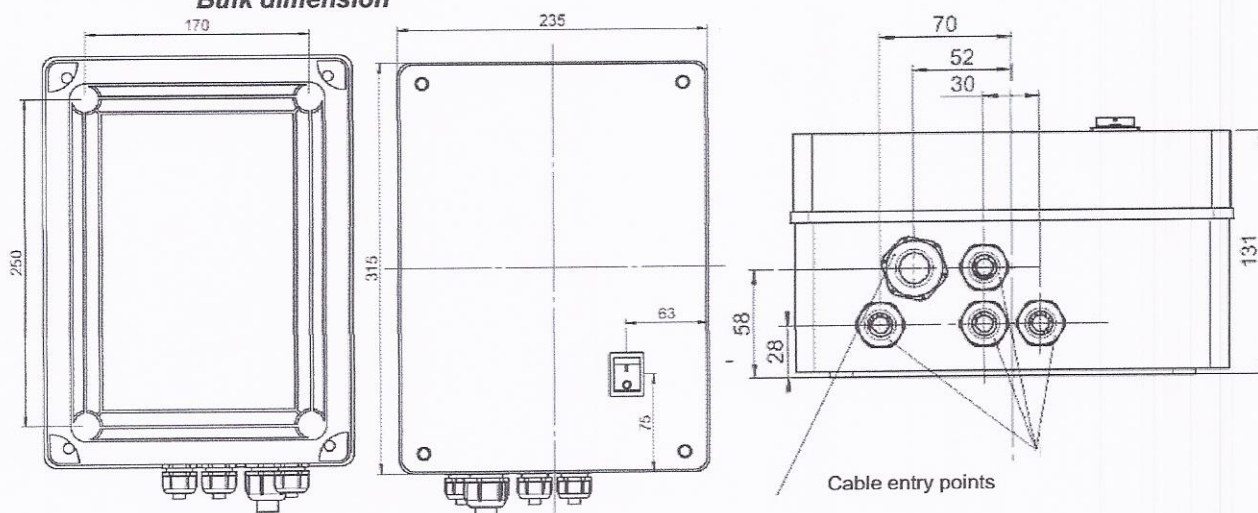
Electrical features

Tension d'entrée / Inlet voltage	Monophasé / Single phase, 220Vac/240Vac, 50/60Hz
Tension sortie puissance / Outlet power voltage	24Vdc \pm 20% sous 230 V / 24Vdc \pm 20% under 230 V
Tension sortie commande / Outlet order voltage	24V \pm 1%
Intensité maximale moteur / Maximum motor current	10A (limitation électronique / electronic limitation)
Intensité maximale absorbée (entrée) / Maximum inlet current	1.5A
Puissance max absorbée (moteur à 10A) / Maximum inlet power (motor at 10A)	290 W (1.5A, PF=0.85)
Puissance max absorbée en veille / Maximum inlet power in sleep mode	6 W (35mA, PF=0.7)

Using restriction

Température min d'utilisation / Min working temperature	-20°C
Température max d'utilisation / Max working temperature	+50°C (en service intermittent 10% de 1 heure / in intermittent service class 10% of 1hour)
Température min de stockage / Min storage temperature	-40°C
Température max de stockage / Max storage temperature	+70°C
Humidité relative / Relative humidity	95% sans condensation / without capacitor
Tension min. d'alimentation / Min tension feeding	220 Vac
Tension max. d'alimentation / Max tension feeding	240 Vac

Bulk dimension



WARNING SECURITY

Electrical connection:

Electric connections must be carried out by a qualified electrician. The electrical motor must be wired by a professional according to the Installation instructions of your local electricity company.

The mains connection cable including a yellow-and-green earth wire must be of cross-section 1mm²

This appliance is not intended for use by persons (including children) with reduced physical, sensory or mental capabilities, or lack of experience and knowledge, unless they have been given supervision or instruction concerning use of the appliance by a person responsible for their safety.