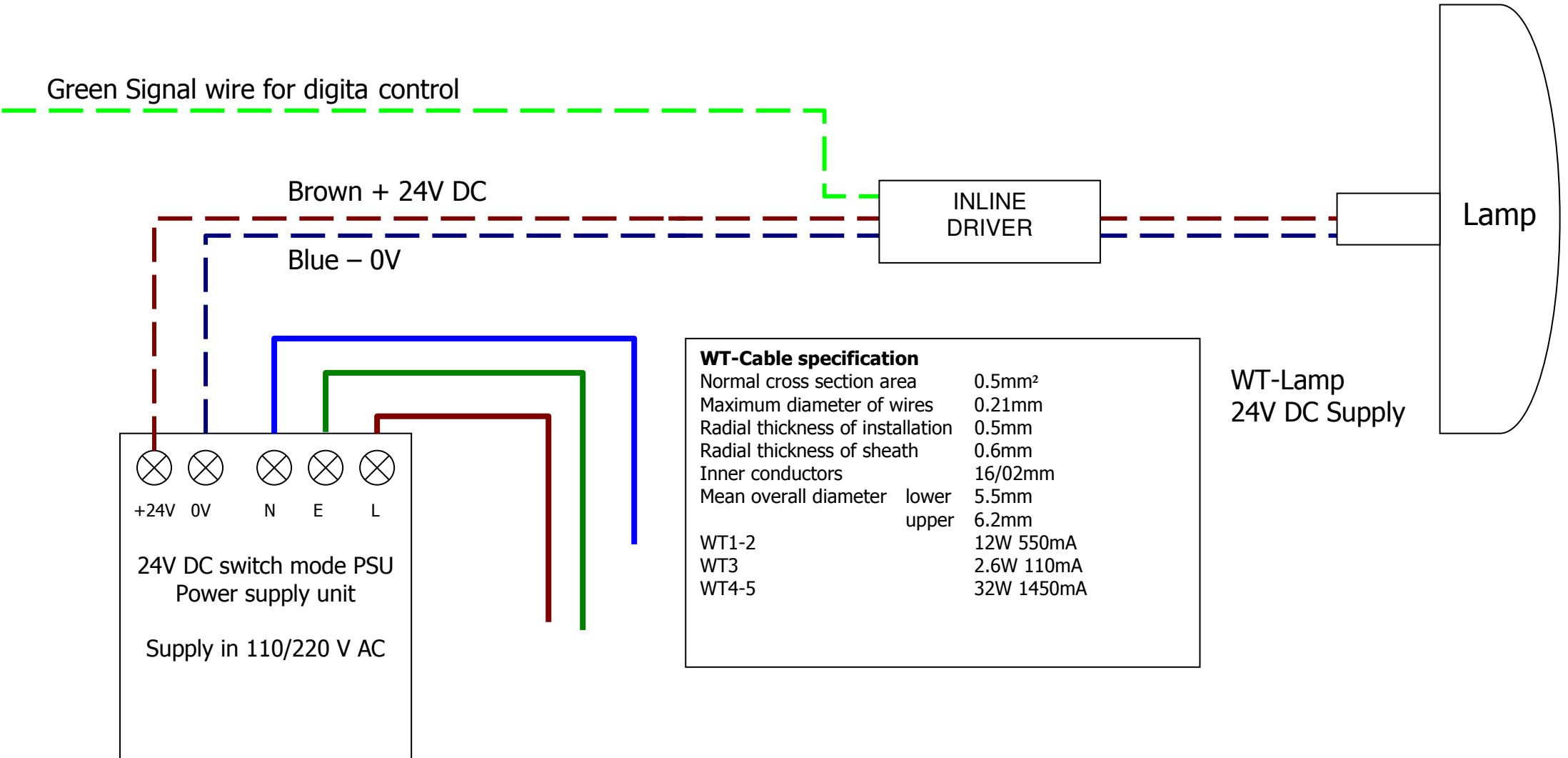


# White only WT1-2-3-4-5 Lamp With built inline driver

Make sure the terminals are protected against corrosion and they are water tight.



<b>WT-Cable specification</b>	
Normal cross section area	0.5mm <sup>2</sup>
Maximum diameter of wires	0.21mm
Radial thickness of installation	0.5mm
Radial thickness of sheath	0.6mm
Inner conductors	16/02mm
Mean overall diameter	lower 5.5mm upper 6.2mm
WT1-2	12W 550mA
WT3	2.6W 110mA
WT4-5	32W 1450mA

MAS Electronics UK Ltd  
 DRG No: 00012  
 Tel 01235 536616  
 Date 01-01-13